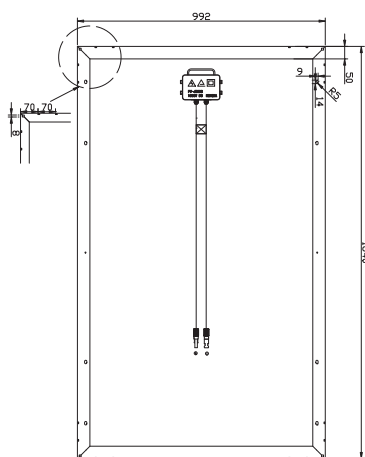




SIMAX All Black Solarmodule (SM660-240W-245W-250W)



Mechanical Characteristics

Solar Cell	Monocrystalline silicon 156x156(mm)
No. of Cells	60 (6 x 10)
Dimensions	1640 x 992 x 40 / 50 (mm)
Weight	19.1 kg
Front Glass	3.2mm (0.13 inches) tempered glass
Frame	Anodized aluminum alloy

Output

Cable Type	Ø = 4 mm ²
Lengths	L = 900 mm
Junction Box	PV - JB003 MC4

Temperature Coefficients

Nominal Operating Cell Temperature (NOCT)	45 ± 2°C
Temperature Coefficient of (P _{max})	-0.39% / °C
Temperature Coefficient of (V _{oc})	-0.34% / °C
Temperature Coefficient of (I _{sc})	0.036% / °C

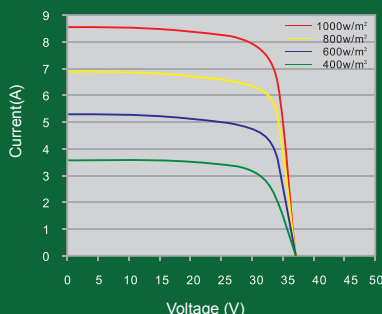
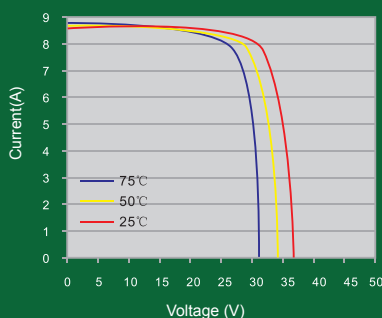


Photon

Parameters	SM660-240	SM660-245	SM660-250
Peak power [Wp] P _{mpp}	240W	245W	250W
Power Tolerance	0~+3%	0~+3%	0~+3%
Module Efficiency (%)	14.8%	15.1%	15.3%
Open circuit voltage [V] V _{oc}	37.4	37.4	38.1
Maximum Power Voltage [V] (V _{mpp})	30.2	30.2	30.7
Maximum Power Current [A] (I _{mpp})	7.94	8.11	8.15
Short circuit Current [A] (I _{sc})	8.58	8.76	8.80

STC: Irradiance : 1000 W/m²; Spectrum AM 1,5; Cell temperature: 25°C; Wind 0 m/s

- Provide the best solutions for photovoltaic power generation and technical support
- Provide Cost-effective products
- Provide 12 Years Quality Warranty
- Power out ≥ 90% in 10 years
- Power out ≥ 80% in 25 years



Simax Green New Energy (Europa) GmbH
 Mergenthaler Allee 23 / 25
 65760 Eschborn / Germany
 Tel.: +49 6196 9739 525
 Fax: +49 6196 5929 684
 info@simaxsolar.com
 www.simaxsolar.de

Simax (Suzhou) Green New Energy Co.,Ltd
 Address: No. 567 Suzhou Road, Taicang city,
 Jiangsu province, China
 P.C.: 215400
 Tel: +86 512 5337 8555
 Fax: +86 512 5337 8556
 info@simaxsolar.com
 www.simaxsolar.com

Simax (Australia) Green New Energy Pty Ltd
 5/78 Frankston Gardens Drive,
 Carrum Downs, VIC 3210
 Tel: +61 03 9708 2400
 Fax: +61 03 9708 2482
 info@simaxsolar.com
 www.simaxsolar.com.au